

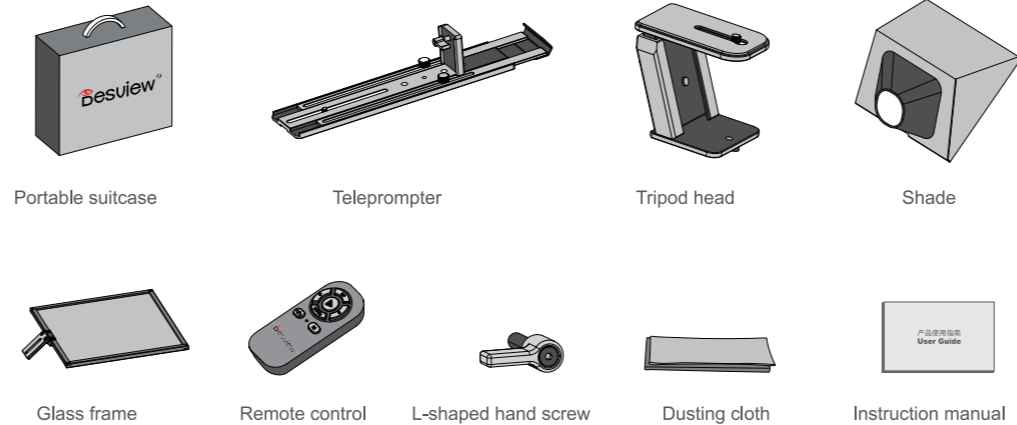
Desview®

# T12S

## TELEPROMPTER

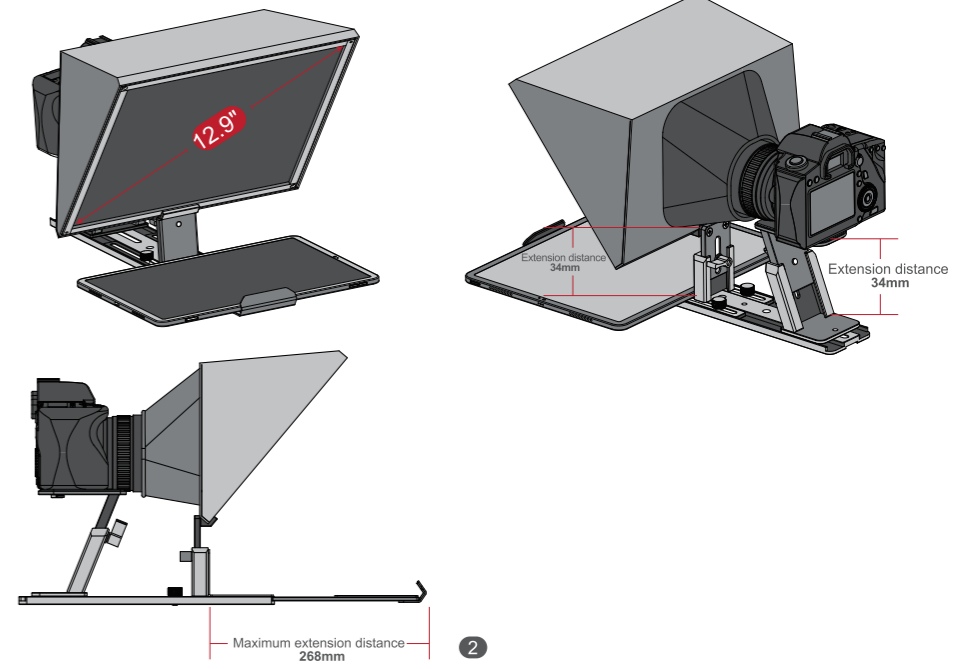
### User Manual

#### Packing List



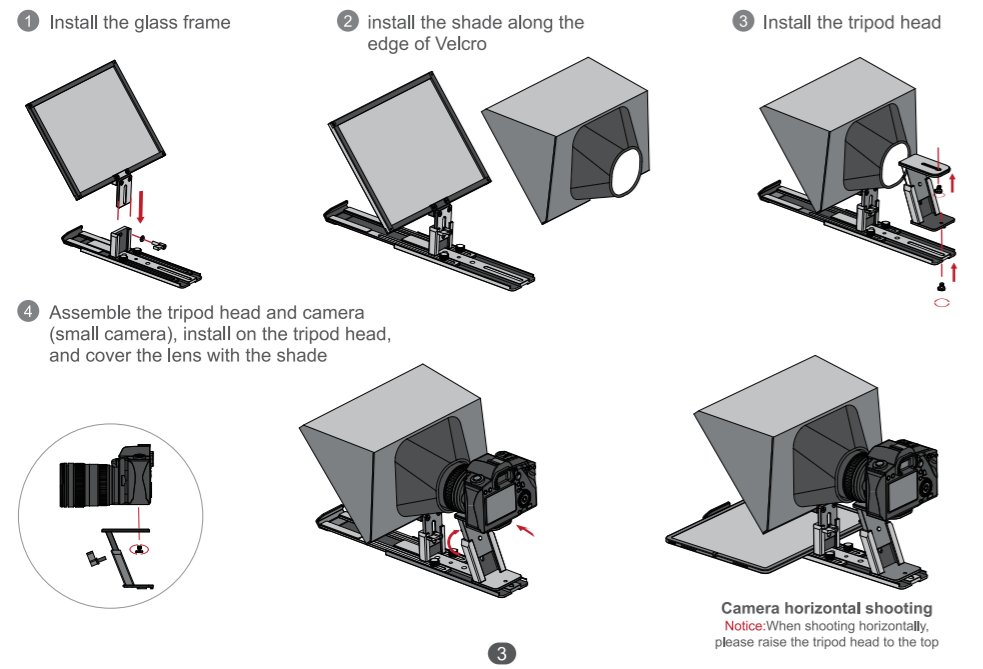
1

#### Product parameters



2

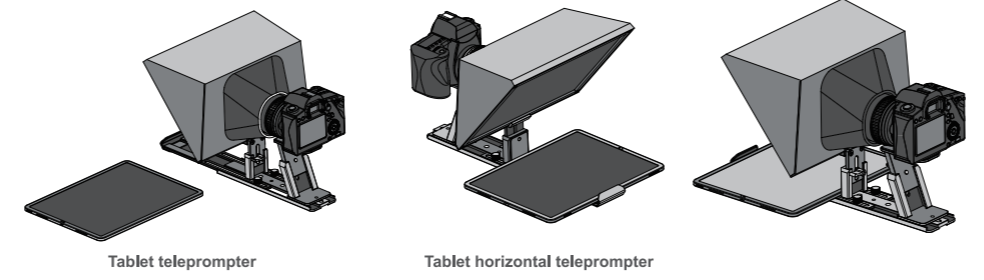
#### Installation steps diagram



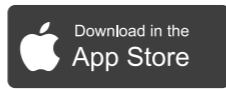
3

**Camera horizontal shooting**  
 Notice: When shooting horizontally, please raise the tripod head to the top

#### 5 Install teleprompter (cell phone or tablet)



#### APP Download



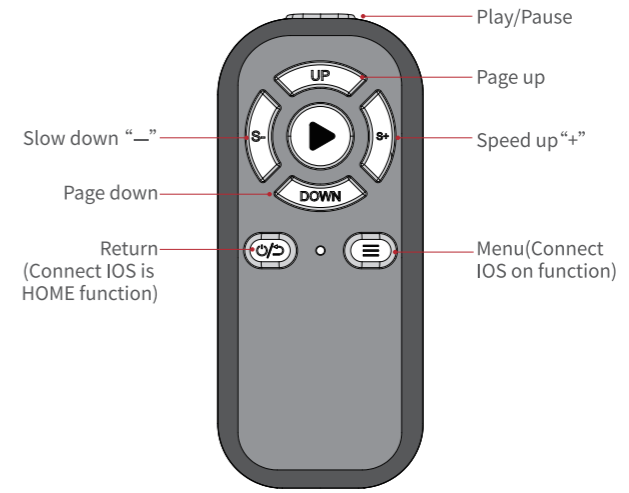
IOS User Download:  
 Search keywords "Desview" to download



Android User Download:  
 Search keywords "Desview" to download

4

#### Remote Controller

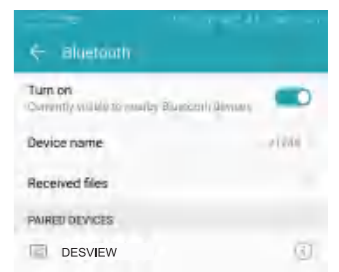


**Controller Use Instruction**

- power on: Keep press **ON**, until the lights on (about 2 seconds).
- power off: Keep press **ON**, until the lights off (about 5 seconds).

Notice: if power on without connecting anything, it will power off after 5 minutes; if the phone connected, it will power off after 12 minutes without any operation.

- Pairing Connection: The LED light on the controller will flashes after powered on, the remote controller will automatically enters the wireless pairing mode, search the controller name (Desview) on the prompting device and click connecting, after the connection is successfully, the LED light flashes intermittently.



**NOTICE:** Due to the compatibility issue, some of the smartphones' or tablet's functions have some differences.

5